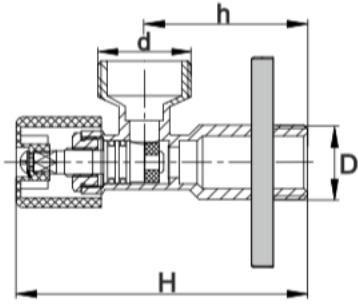




REF. AR004-4

MODELO PISTÓN



| D | d | Tuerca | h | H |  |  | € |
|---|------|--------|------|---|---|---|------|
| 1/2" | 3/4" | NO | 44,5 | 82,5 | 1 | 100 | 4,77 |
| Cierre y apertura PISTÓN REGULABLE PN16 Eje interior de latón con juntas EPDM Rosca de entrada gas (BSP) según ISO 228/1 | | | | Closing and opening adjustable piston PN16 Brass stem and EPDM joint Inlet thread gas (BSP) according to ISO 228/1 | | | |

EAN 8436591571179